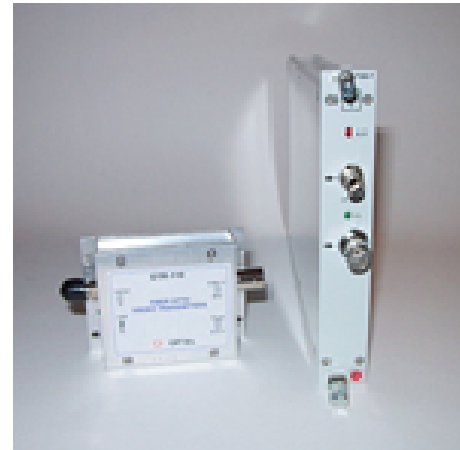




FIBEROPTIC VIDEO TRANSMITTERS AND RECEIVERS MODULES

■ FEATURES

- Color video transmission (5Hz - 8 MHz)
- Optional RS 232 DATA RETURN channel for Camera zoom remote command.
- Very compact Stand-alone Box and Eurocard shielded package versions.
- LED/PIN versions, operating at 850 nm wavelengths for 50/125 and 62.5/125 MM fiber
- LD-FP / PIN versions, operating at 1310 nm wavelengths for 9/125 SM fiber



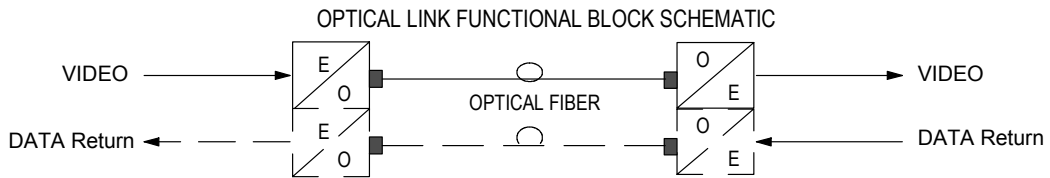
■ APPLICATIONS

- Video surveillance security systems.
- Camera to Monitor fiber optic transmission links.

PRODUCT RANGE

MODELS	DESCRIPTION
OTR-110-TV-miniB	OPTICAL VIDEO TRANSMITTER, 850 nm, MM Fiber, miniBOX
OTR-110-TV-B	OPTICAL VIDEO TRANSMITTER, 850 nm, MM Fiber, BOX
OTR-110-RV-E	OPTICAL VIDEO RECEIVER, 850 nm, MM Fiber, EUROCARD
OTR-110-TV-RD-B	OPTICAL VIDEO TRANSMITTER, DATA RETURN, 850 nm, MM Fiber, BOX
OTR-110-RV-TD-E	OPTICAL VIDEO RECEIVER, DATA TRANSMITTER, 850 nm, MM Fiber, EUROCARD
OTR-130-TV-B	OPTICAL VIDEO TRANSMITTER, 1300 nm, SM & MM Fiber, BOX
OTR-130-RV-E	OPTICAL VIDEO RECEIVER, 1300 nm, SM & MM Fiber, EUROCARD
OTR-130-TV-RD-B	OPTICAL VIDEO TRANSMITTER, DATA RETURN, 1300 nm, SM & MM Fiber, BOX
OTR-130-RV-TD-E	OPTICAL VIDEO RECEIVER, DATA TRANSMITTER, 1300 nm, SM & MM Fiber, EUROCARD
STE-820	SUBRACK, 19" 3U, with POWER SUPPLY

OTR-100 SERIES TECHNICAL SPECIFICATIONS



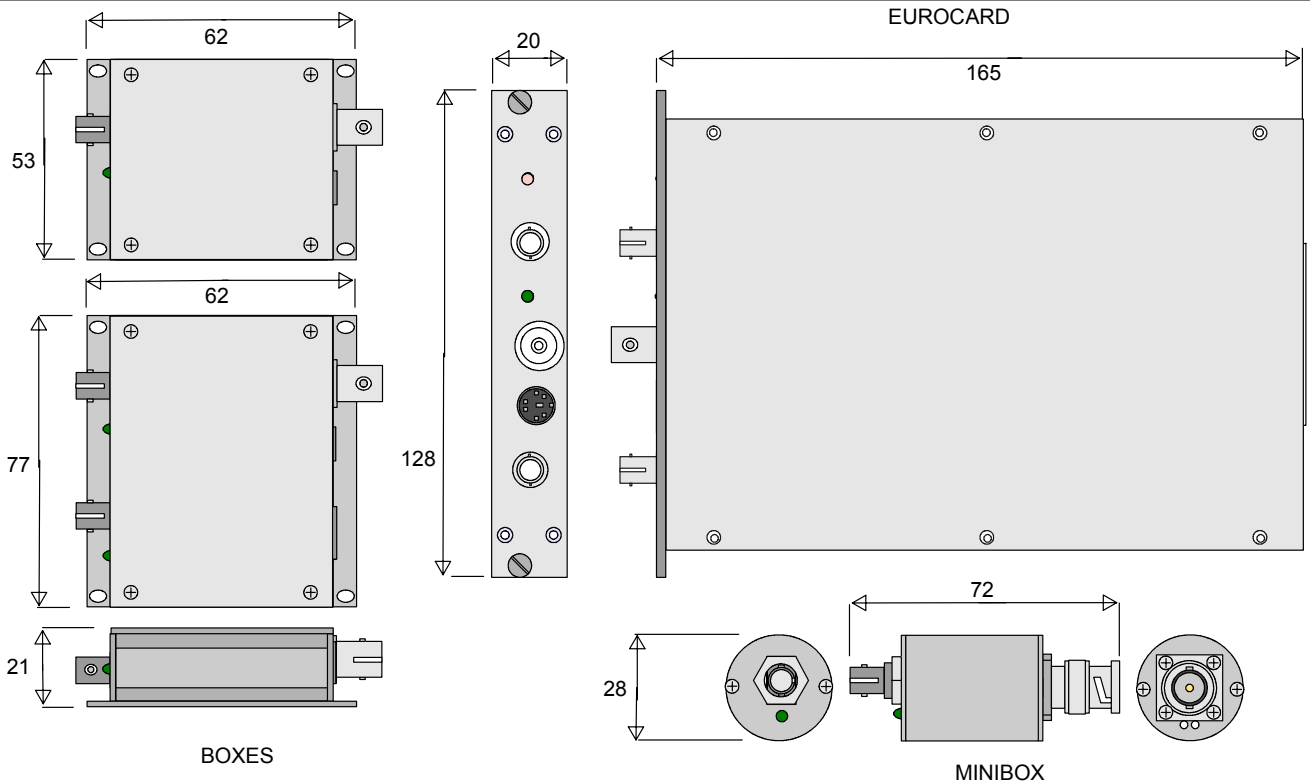
CHARACTERISTICS(Typical)

	OTR-110	OTR-130
OPTICAL		
- Operating wavelength (nm)	850	1310
- Optical source / Detector	LED/PIN	LASER/PIN
- Fiber optic	MM	MM SM
- Transmitted optical power (dBm) (°)	-16	0
- Optical receiver sensitivity(dBm) (**)	-26	-26
- Optical receiver AGC range (dB)	10	10
VIDEO		
- Input/Output nominal level		1Vpp
- Input/Output impedance		75 Ohm
- Differential Gain		< 5%
- Differential Phase		< 5°
- Luminance non linearity		< 5%
- Signal-toNoise ratio (weighted,)		>> 60 dB
- Frequency response (5Hz to 5.5 MHz)		100 +/- 10%
- Group Delay (5Hz to 5.5 MHz)		<< 100 nsec
DATA RETURN (optional)		
- Data rate (Asynchronous)		DC to 19.2 Kbaud
- Data interface		RS 232 or RS 422 or Custom
- BER at Pr = > -27 dBm		< 10E-12
MECHANICAL & ENVIRONMENTAL		
- Optical TX and RX Boxes (size)		53x62x20 and 77x62x20 mm
- Optical TX and RX Eurocard (size)		110x160x20 mm
- Subrack type		19" 3U
- Subrack equipment with power supply		16 OTRs
- Operating temperature		-10 to +50 °C
- Storage temperature		-20 to + 60 °C

(°) Lower or higher power available

(**) Lower sensitivity for short distance available

MECHANICAL



OPTEL
OPTOELETTRONICA
TELECOMUNICAZIONI

OPTEL snc - Via Don Milani 7
20063 - CERNUSCO S/N - Milano - ITALY
Tel. +39-2-92102981 Fax.+39-2-92105987