

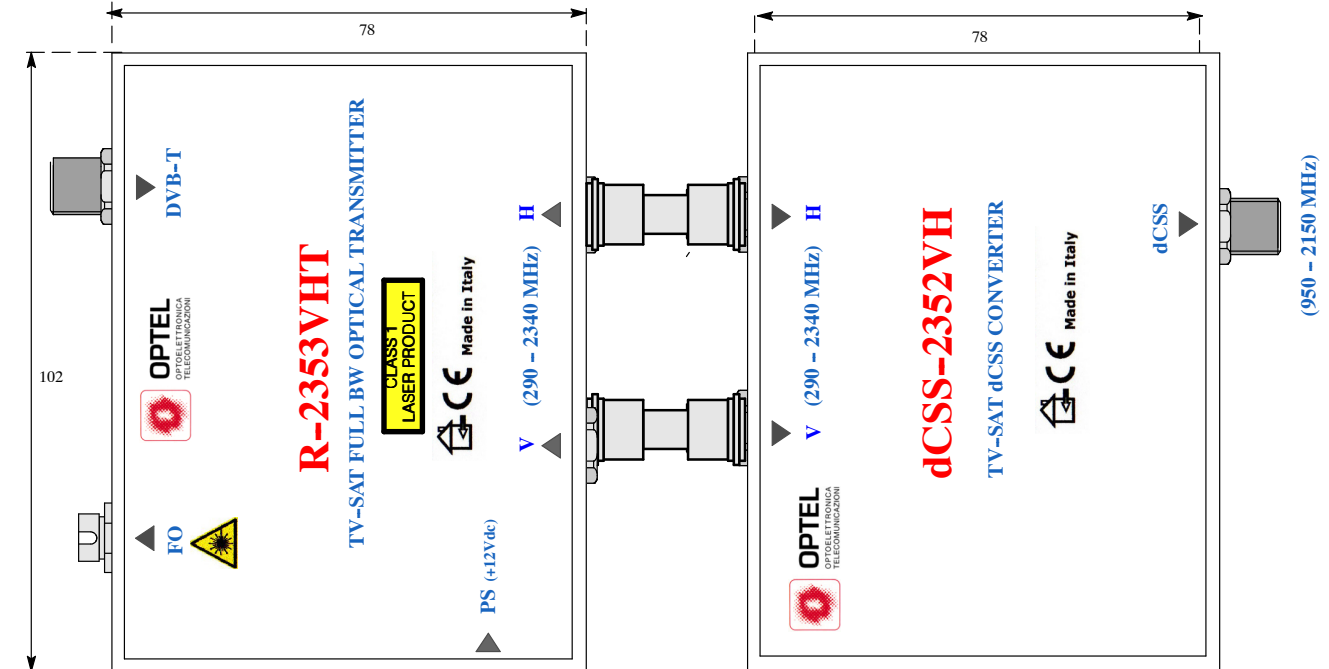


OPTEL
OPTOELETTRONICA
TELECOMUNICAZIONI

OPTICAL TV SAT MODULES

R-2353VHT + dCSS-2352VH

FULL BANDWIDTH (V + H) TV-SAT & TERRESTRIAL DVB-T TRANSPARENT TRANSMISSION OVER A SINGLE MONOMODE FIBER OPTIC DISTRIBUTION NETWORK + dCSS CONVERTER



FEATURES

- DISTRIBUTION over a single monomode fiber by means of splitting network of the 2 SATELLITE WIDE BAND V and H polarity from a WB LNB and the TERRESTRIAL DVB-T to UP-TO 32 optical terminal points.
- dCSS CONVERTER for UP-TO 16 Transponder distribution over a standard coaxial cable
- High transmission quality.
- Complete electromagnetic interference immunity.
- Small size and total dielectric cabling.

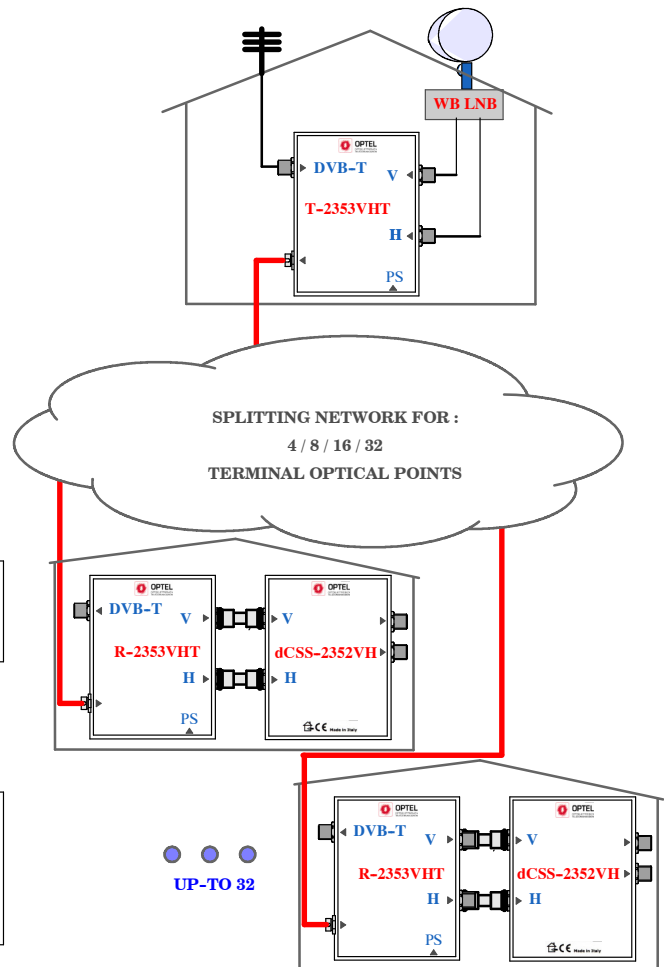
MAIN CHARACTERISTICS

OPTICAL

- FIBER OPTIC	9 / 125 Singlemode
- CONNECTORS	FC-PC
- MAXIMUM LINK LENGTH	10 Km
- MAXIMUM LINK LOSS	18 dB

ELECTRICAL RF

- BANDWIDTH (V and H)	290 - 2390 MHz
- BANDWIDTH (DVB-T)	150 - 790 MHz
- INPUT LEVEL	75 to 85 dBuV/ transp
- OUTPUT LEVEL	70 to 95 dBuV/ transp
- IMPEDENCE	75 Ohm
- CONNECTORS	F



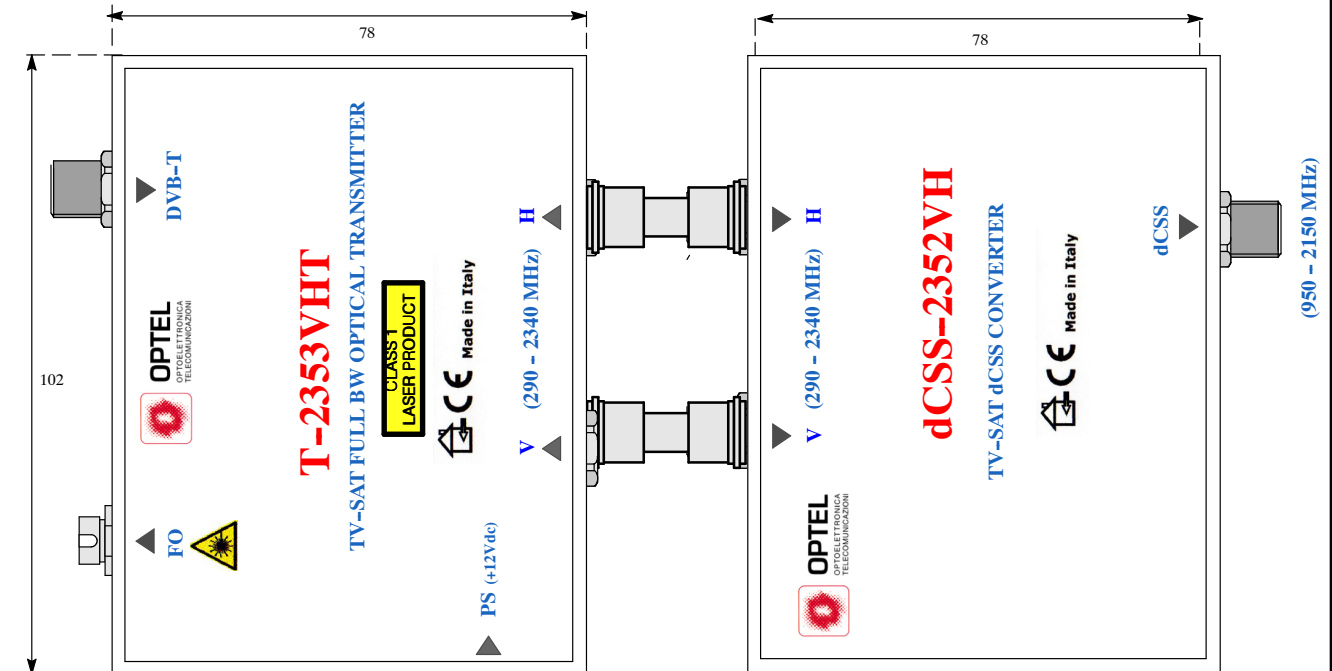


OPTEL
OPTOELETTRONICA
TELECOMUNICAZIONI

OPTICAL TV SAT MODULES

R-2353VHT + dCSS-2352VH

FULL BANDWIDTH (V + H) TV-SAT & TERRESTRIAL DVB-T TRANSPARENT TRANSMISSION OVER A SINGLE MONOMODE FIBER OPTIC DISTRIBUTION NETWORK + dCSS CONVERTER



FEATURES

- DISTRIBUTION over a single monomode fiber by means of splitting network of the 2 SATELLITE WIDE BAND V and H polarity from a WB LNB and the TERRESTRIAL DVB-T to UP-TO 32 optical terminal points.
- dCSS CONVERTER for up-to 16 Transponder per User distributed by means of a standard coaxial cable
- High transmission quality.
- Complete electromagnetic interference immunity.
- Small size and total dielectric cabling.

MAIN CHARACTERISTICS

OPTICAL

- FIBER OPTIC	9 / 125 Singlemode
- CONNECTORS	FC-PC
- MAXIMUM LINK LENGTH	10 Km
- MAXIMUM LINK LOSS	18 dB

ELECTRICAL RF

- BANDWIDTH (V and H)	290 - 2390 MHz
- BANDWIDTH (DVB-T)	150 - 790 MHz
- INPUT LEVEL	75 to 85 dBuV/ transp
- OUTPUT LEVEL	70 to 95 dBuV/ transp
- IMPEDENCE	75 Ohm
- CONNECTORS	F

